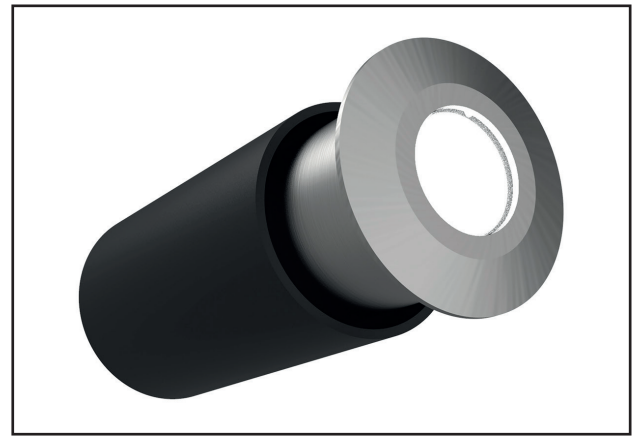


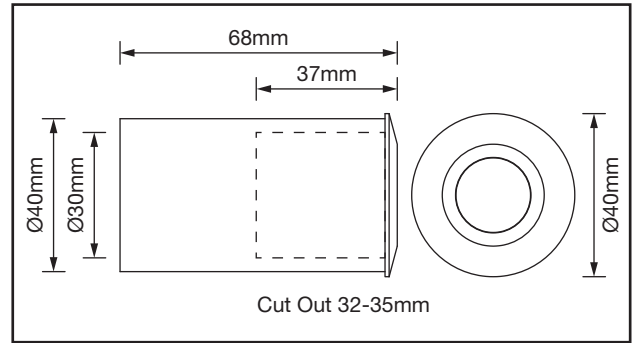
AGLM01/SS

1.2W 240V IP67 Drive Over
Stainless Steel Marker Light



PRODUCT FEATURES

- 304 Stainless Steel Construction Rated To IP67
- Featuring AquaStop Technology
- 1.2W LED Array
- 220-240V AC Mains Operating Voltage
- Driver Over Rated At 2 Metric Tonnes When Used In Mounting Sleeve
- Ultra Tough Polycarbonate Optics
- Mounting Sleeve Included
- 2.5M Pre-Wired Tough Rubber Cable



TECHNICAL SPECIFICATIONS

Product Code	AGLM01/SS/30
Luminous Flux (LM)	≤23lm
Useful Luminous Flux (LM)	≤20lm
CCT (Kelvin)	3000K
Beam Angle (°)	60°
SDCM	≤6
CRI	80
Peak Intensity (cd)	22cd
Operating Voltage (V)	220-240V AC
Max Output Power (W)	1.2W
Operating Current (A max)	0.008A
Power Factor (Pf)	<0.5
Class	II
Body Material	304 Stainless Steel
Cut Out	32-35mm
Frame Colour	304 Stainless Steel
Switching Cycles	25,000
Ingress Protection	IP67
Ambient Operating Temperature (°C)	-20°C ~ +50°C
Input Frequency (Hz)	50/60Hz
Guarantee	2 Years
Cable Length	2.5m
Lifetime (L70 B50)	25,000 Hrs
Survival Factor	0.9
Lumen Maintenance Factor	0.95
Displacement Factor	≥0.5
Flicker Metric (PstLM)	≤1.0
Stroboscopic Effect Metric (SVM)	≤0.4

